



# A6 RUNNING BOARDS

Assembly, Installation, Operation,  
and Maintenance Instructions

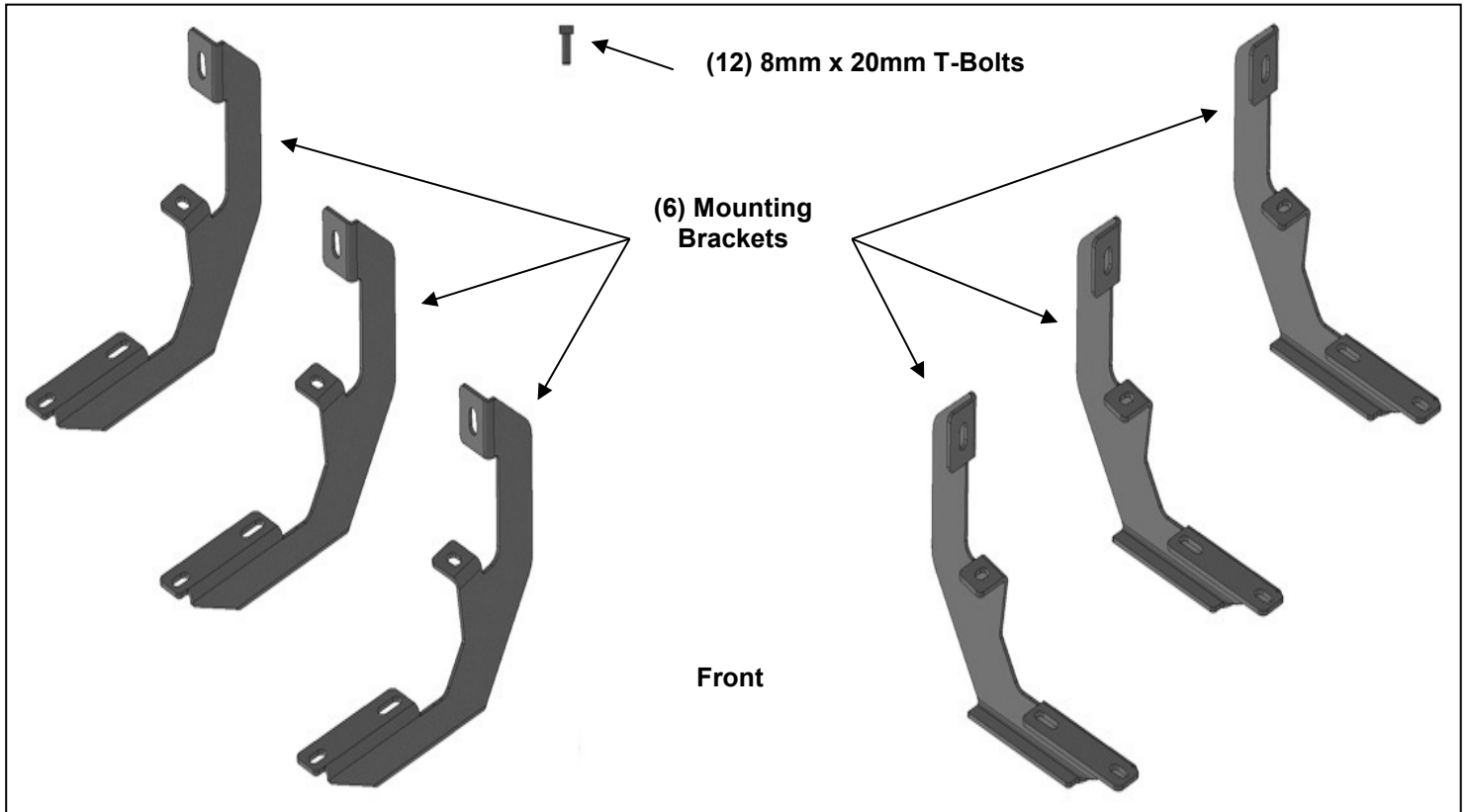
<b>PART NUMBER</b>	<b>AL6005B</b>
<b>INSTALL TIME</b>	<b>120 MINUTES</b>

**2019-2024 SILVERADO / SIERRA 1500 / 2020-2024 2500/3500 DOUBLE CAB  
(EXCLUDES 2019-2021 SILVERADO "LD", 2019 SIERRA "LIMITED")**

<b>DEALER / INSTALLER</b>	Provide a copy of these instructions to the end user of this product. These instructions provide important operating and safety information for proper usage of this product. Demonstrate the proper use of the product with the end user. Have the end user demonstrate that they understand the proper use of the product.
<b>END USER</b>	Read and follow all instructions included in this manual. Ask your Dealer/Installer for assistance if you do not understand the proper use of the product. Never remove any decals from the product. Failure to follow these instructions can result in injury or death.

## PACKAGE CONTENTS

RUNNING BOARDS (79in)	2	8-1.25mm X 30mm HEX BOLTS	12
MOUNTING BRACKETS	6	8mm X 24mm X 2mm FLAT WASHERS	24
8mm X 20mm T-BOLTS	12	8mm LOCK WASHERS	24
		8mm HEX NUTS	12

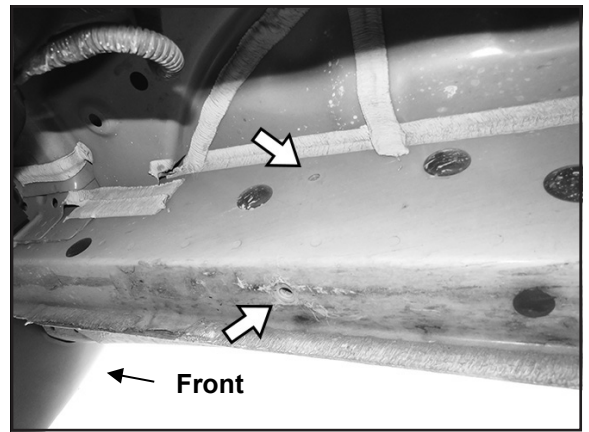


# PROCEDURE

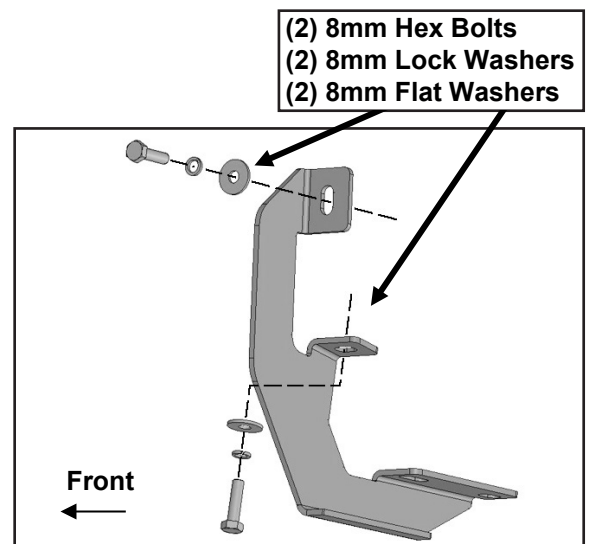
REMOVE CONTENTS FROM BOX. VERIFY ALL PARTS ARE PRESENT. READ INSTRUCTIONS CAREFULLY BEFORE STARTING INSTALLATION. ASSISTANCE IS RECOMMENDED.

1. Start the installation under the passenger/right side of the vehicle. Locate the plugs along the bottom edge of the body, **(Figure 1)**. Remove the plastic plugs from each mounting location to uncover the threaded mounting holes, **(Figure 2)**. Directly above each threaded hole is a top mounting location on the side of the body panel. Hold a Bracket up in place to help determine the mounting holes to use along the body. **NOTE:** Thread an 8mm Hex Bolt into the threaded holes to clear paint from threads.
2. Select (1) Mounting Bracket. Starting at the passenger/right side front of the vehicle, attach the Mounting Bracket to the front pair of factory threaded holes with (2) 8mm x 30mm Hex Bolts, (2) 8mm Lock Washers and (2) 8mm Flat Washers, **(Figures 3 & 4)**. Do not tighten hardware at this time.

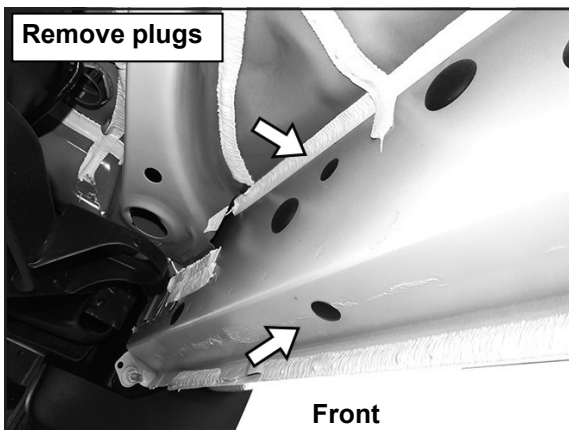
## Passenger/Right Side Installation Pictured



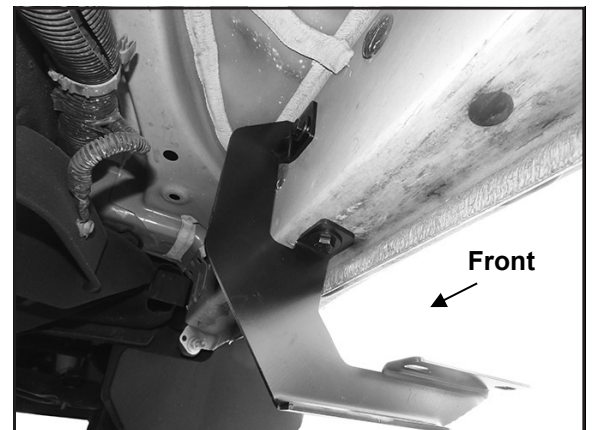
**(Figure 2) Passenger/right front mounting location.**



**(Figure 3) Attach Mounting Bracket to threaded holes in body panel.**



**(Figure 1) Remove plastic plugs to uncover threaded holes in body panel.**



**(Figure 4) Passenger/right front Mounting Bracket installed.**

## PROCEDURE (CONTINUED)

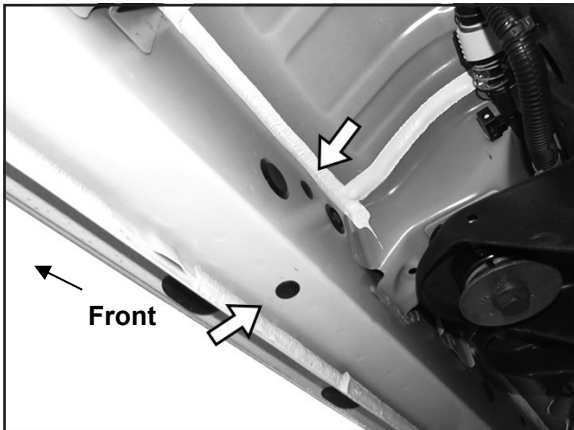
3. Move to the center mounting location, **(Figure 5)**. Repeat **Steps 1 & 2** to attach (1) Mounting Bracket to the center and rear mounting location, **(Figures 6-9)**. Continue to the rear mounting location at the end of the cab. Repeat **Steps 1 & 2** to attach (1) Mounting Bracket to the rear location, **(Figure 6)**.

4. Carefully unwrap the Running Boards. Select **(Figure 4)**.

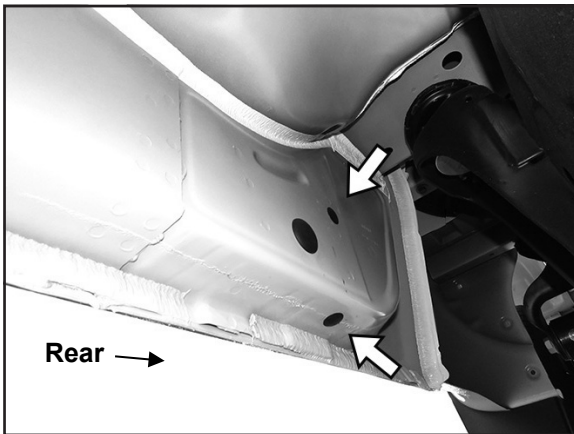
5. (1) Running Board. Insert (3) T-Bolts into each channel in the bottom of the Running Board, **(Figure 7)**.

6. With assistance, place the Running Board on top of the Brackets. Guide the T-Bolts in the Running Board down through the slots in the Brackets, **(Figures 8 & 9)**. **IMPORTANT:** Do not slide, (front to back), the Running Board on the Brackets or damage to the finish may result.

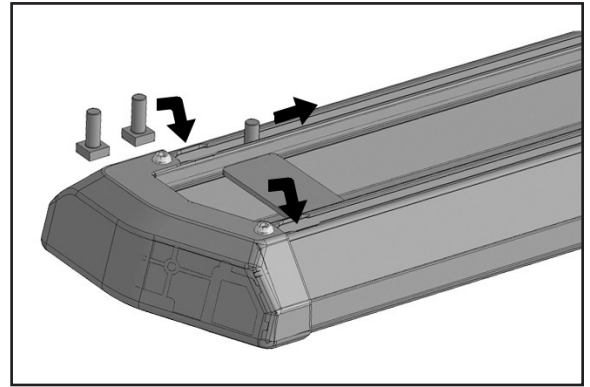
### Passenger/Right Side Installation Pictured



**(Figure 5)** Passenger/right center location.

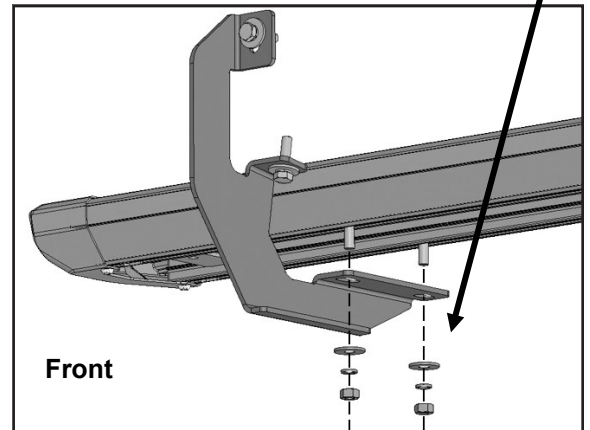


**(Figure 6)** Passenger/right rear mounting location.



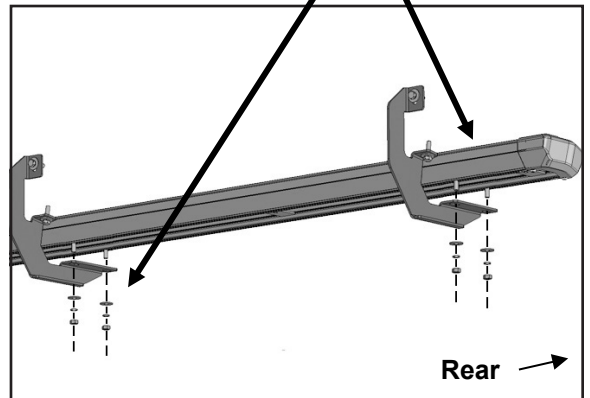
**(Figure 7)** Slide (3) 8mm T-Bolts into each channel in bottom of Running Board.

(2) 8mm Flat Washers  
(2) 8mm Lock Washers  
(2) 8mm Hex Nuts



**(Figure 8)** Attach Running Board to passenger/right front Mounting Bracket.

(2) 8mm Flat Washers  
(2) 8mm Lock Washers  
(2) 8mm Hex Nuts



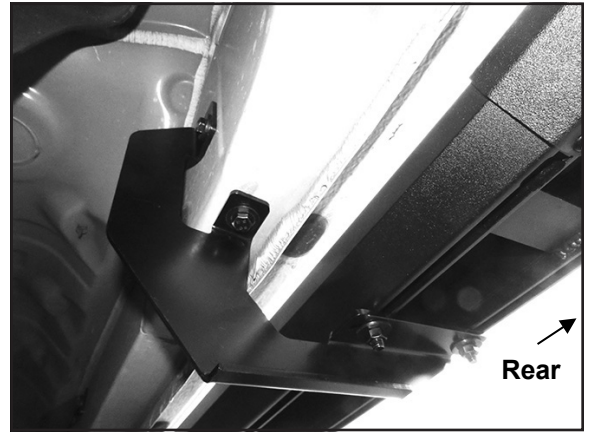
**(Figure 9)** Attach Running Board to passenger/right center and rear Brackets.

## PROCEDURE (CONTINUED)

7. Attach the Running Board to the Brackets with (6) 8mm Flat Washers, (6) 8mm Lock Washers and (6) 8mm Hex Nuts, **(Figures 8-10)**. Do not tighten hardware.
8. Level and adjust the Running Board to the vehicle and tighten all hardware.
9. Repeat **Steps 1-7** to attach the driver/left side Running Board.

**NOTE:** Measure the distance from the passenger/right front wheel opening or front mud flap to the front end of the passenger/right running board. Apply this measurement to the driver/left Running Board.

### Passenger/Right Side Installation Pictured



**(Figure 10)** Running Board attached to passenger/right rear Bracket pictured.

## PRODUCT CARE

- Periodically check the product to ensure all fasteners are tight and components are intact.
- Regular waxing is recommended to protect the finish of the product.
- Use ONLY Non-Abrasive automotive wax. Use of any soap, polish or wax that contains an abrasive is detrimental and can scratch the finish leading to corrosion.
- Mild soap may be used to clean the product for Black finish.

## FAQs

<b>Hardware and mounting brackets are not aligning properly.</b>	Ensure that hardware is being used on the correct side of vehicle. In some cases, the hardware may appear the same for driver and passenger side but may alter the alignment of mounting location. Check mounting brackets for both sides.
<b>Products are thumping / rattling after Installation.</b>	Ensure that all required mounting brackets/hardware's are installed & tightened correctly. Suggest using white Lithium/regular grease between metal-to-metal contact.
<b>Missing / Excess Hardware.</b>	Recheck hardware count as per the part list.
<b>Product not installing properly.</b>	Ensure the Year/Make/Model as well as cab and bed dimensions are correct for the application. Review all steps for installation to ensure they were followed correctly.
<b>Who should be contacted for questions regarding product / installation assistance?</b>	<a href="http://www.trailfx.com">www.trailfx.com</a> / <a href="mailto:support@trailfx.com">support@trailfx.com</a> or 1-(866) 638-4870

## CONTACT US

**WEBSITE:** TrailFX.com

**PHONE:** 1-866-638-4870

**EMAIL:** support@trailfx.com

## WARRANTY TERMS

### **Black Powder Coated: Limited Lifetime Warranty**

TrailFX and Keystone Automotive Operations Inc. make no guarantees or warranties for products not manufactured by Keystone Automotive Operations Inc. Such products are covered solely under any applicable warranty of the manufacturer. It is always recommended that the operating instructions and warranty instructions provided by the manufacturer are followed.

Keystone Automotive Operations Inc. warrants its products to be free from manufacturing and material defects to the original purchaser for the length of warranty stated above from the date of retail purchase. If any products are found to have a manufacturing or material defect, the product will be replaced or repaired at the option of TrailFX and Keystone Automotive Operations Inc. with proof of purchase by the original purchaser. The original purchaser shall pay all transportation and shipping costs associated with the return of the defective product and the defective product shall become the property of Keystone Automotive Operations Inc.

This Warranty applies to Keystone Automotive Operations Inc. products used for individual and recreational purposes. Commercial usage of the Keystone Automotive Operations Inc. products limits the warranty to 90 days from the date of purchase.

This Warranty applies only to Keystone Automotive Operations Inc. products which are found to be defective in manufacturing or material. This warranty does not apply to normal wear and tear of the finish placed on Keystone Automotive Operations Inc. products.

TrailFX and Keystone Automotive Operations Inc. are not responsible for any labor costs incurred for removal or replacement of the defective product.

TrailFX and Keystone Automotive Operations Inc. are not responsible for repair or replacement of any product under the limited warranty where the product was improperly installed, misapplied, altered, abused, neglected, overloaded, misused, or damaged as a result of an accident, including any use of the product not in accordance with all products operating and safety instructions.

Without limiting the generality of the foregoing, TrailFX and Keystone Automotive Operations Inc. shall under no circumstances be liable for any incidental or consequential loss or damage whatsoever arising out of, or in any way relating to any such breach of warranty or claimed defect in, or non-performance of the products. Some states do not allow the exclusion or limitation of incidental or consequential damages, so the above exclusion or limitation may not apply to you.

This limited warranty gives you specific legal rights, and you may also have other rights that vary from state to state.